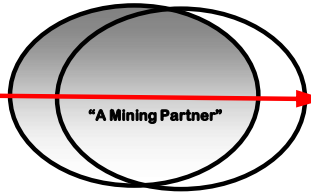


Open Loop Energy Inc.

P.O. Box 391
Safford, AZ 85548-0391

901 West 6th Street
Winnemucca, NV 89445



RT BORON TECHNICAL MANUAL FUEL TRANSFER TOTE



Pre-Operation

Remove plastic plug and install Donaldson TRAP breather supplied in cardboard box



FUEL TRANSFER TOTE
148230 NOV 2022

Pre-Operation



Be sure tote breather is mounted and other ports are plugged.



Be sure tote ball valve is in the open position. The handle position is reversed from normal ball valves.



Position directional valve in desired position. Left position to fill tote and right to empty the tote.

Pre-Operation



Add air quick connect to ½ IN NPT brass ball valve. We recommend an air regulator to supply approximately 80-100 PSI. An in-line air lubrication unit is also recommended.

Pre-Operation

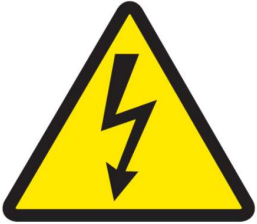


Sight level indication tube.



Pre-Operation

Bonding and Grounding Reel



Ensure diaphragm pump ground wire is secured in grounding screw to reel mount and that alligator clip is grounded to a true protective earth point. Improper grounding can cause hazardous operation.



Grounding reduces the risk of static and electric shock by providing an escape wire for the electrical current due to static build up or in the event of a short circuit.

Pre-Operation

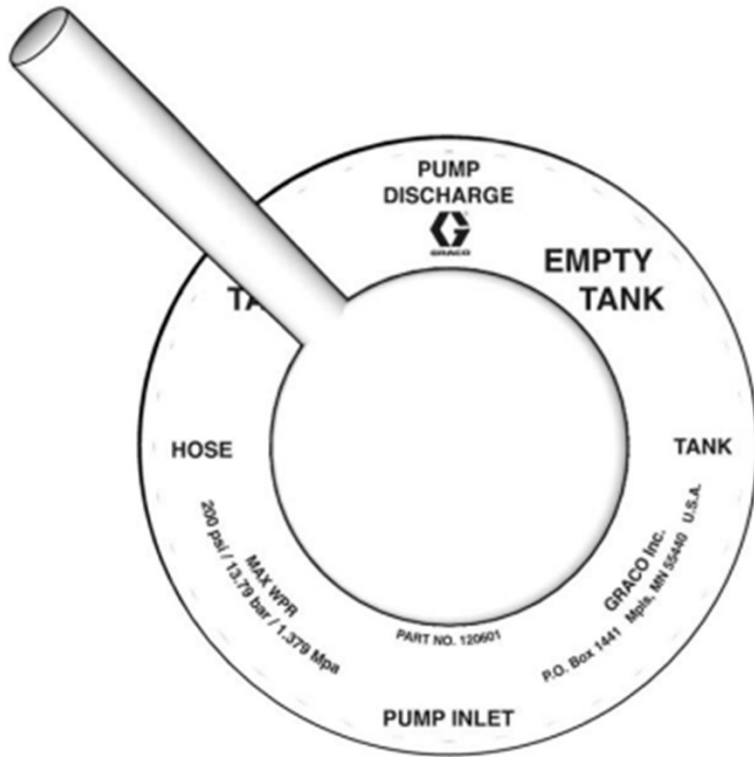


Inspect equipment nozzle for any damage. This is a bi-directional flow nozzle and will fit all equipment fitted with the mating connector.

Operation

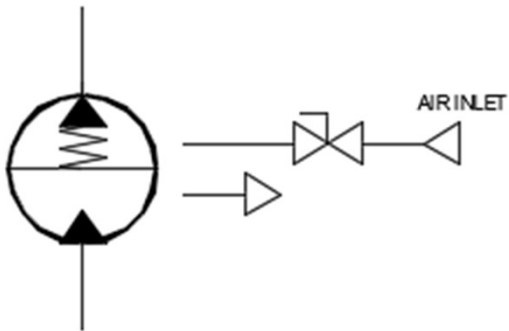
**FILL
TOTE**

**EVAC
TOTE**

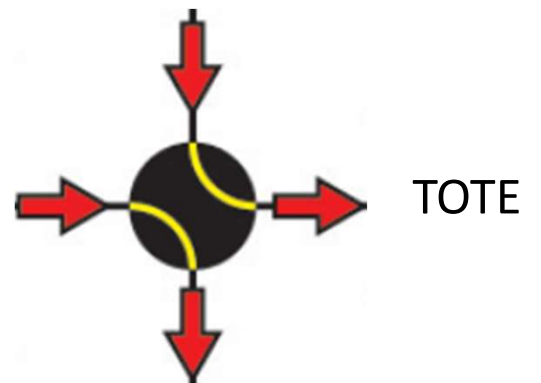


**TO FILTER
INLET**

FILTER OUTLET



**EQUIPMENT
TANK**



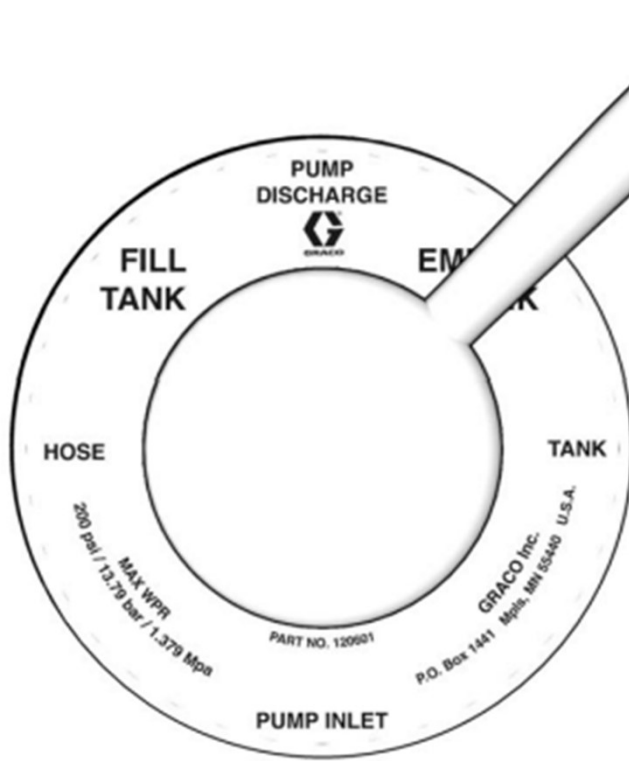
PUMP INLET

PUMP INLET

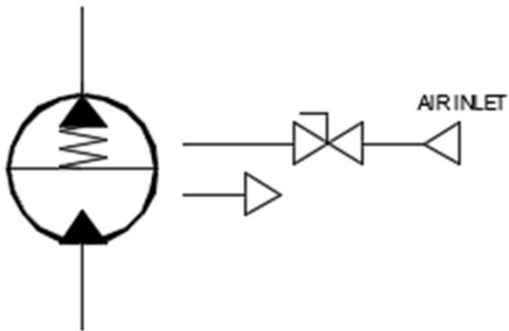
Operation

**FILL
TOTE**

**EVAC
TOTE**



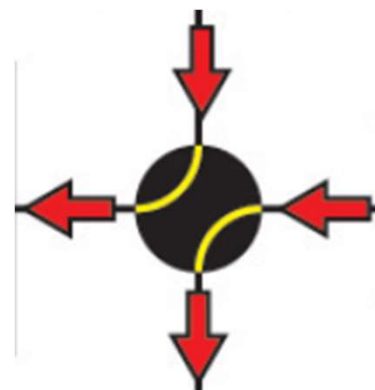
TO FILTER
INLET



PUMP INLET

EQUIPMENT
TANK

FILTER OUTLET

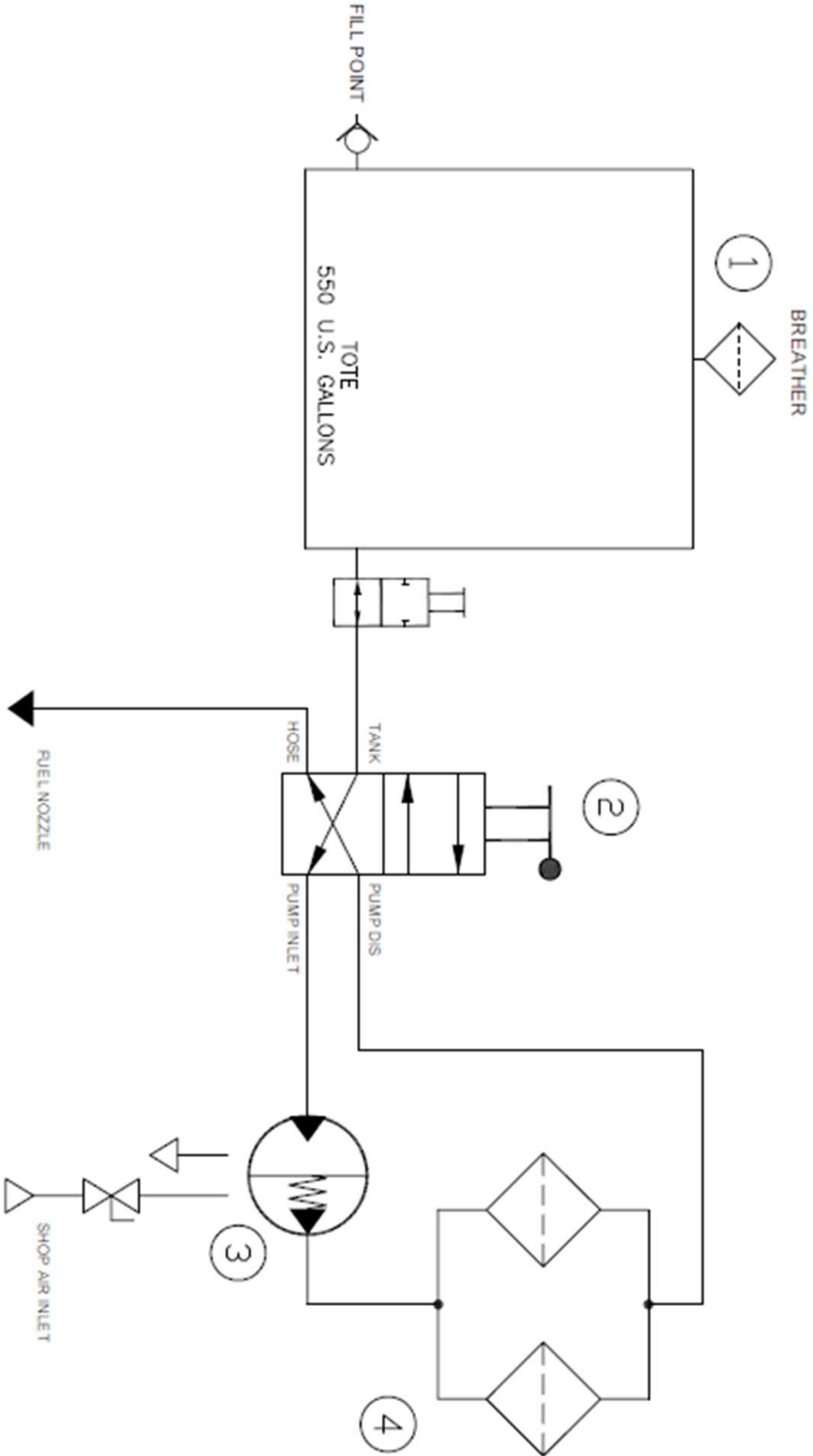


TOTE

PUMP INLET

Operation

OLE-12310-88



This drawing is property of OpenLoop Energy, Inc. who claims proprietary rights in the material and information disclosed. It is submitted in confidence for engineering/design information only and may not be copied or released or used for manufacture or competitive bidding or anything without specific written permission or prior purchase of drawing, schematics ect. from Open Loop Energy, Inc.

Materials	REVISIONS	DATE



OPEN LOOP ENERGY
SAFFORD, AZ
1400 S. GARDNER AVENUE, SUITE 100, SAFFORD, AZ 85088

PROJECT	FUEL TOTE
DESC.	HYDRAULIC SCHEMATIC
SCALE	N/A
DATE	10/25/2022
DWG. NO.	OLE-12310-88
DRAWN BY	CHAD ROLFE
APPROVED BY	

Maintenance

**REPLACE WITH DONALDSON
ELEMENTS (2) P/N DBB8666 EACH 6
MONTHS OR AS NEEDED**



Maintenance

Husky 1050A UL Listed Diaphragm Pumps
Document 313597EN-M 22 pages

Four-Way Evacuation Valve
Document 311881EN-F 8 pages